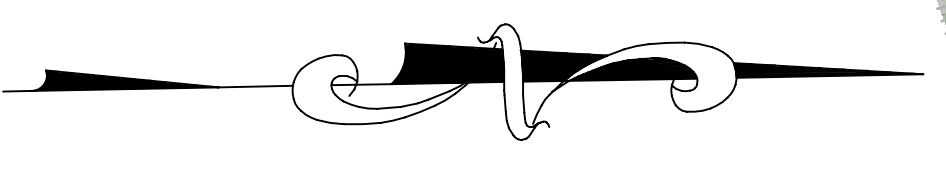
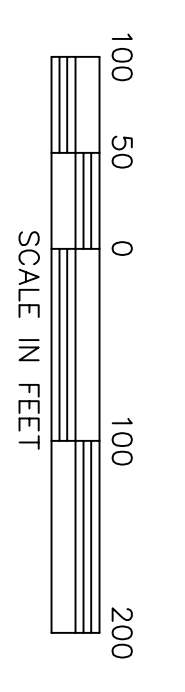
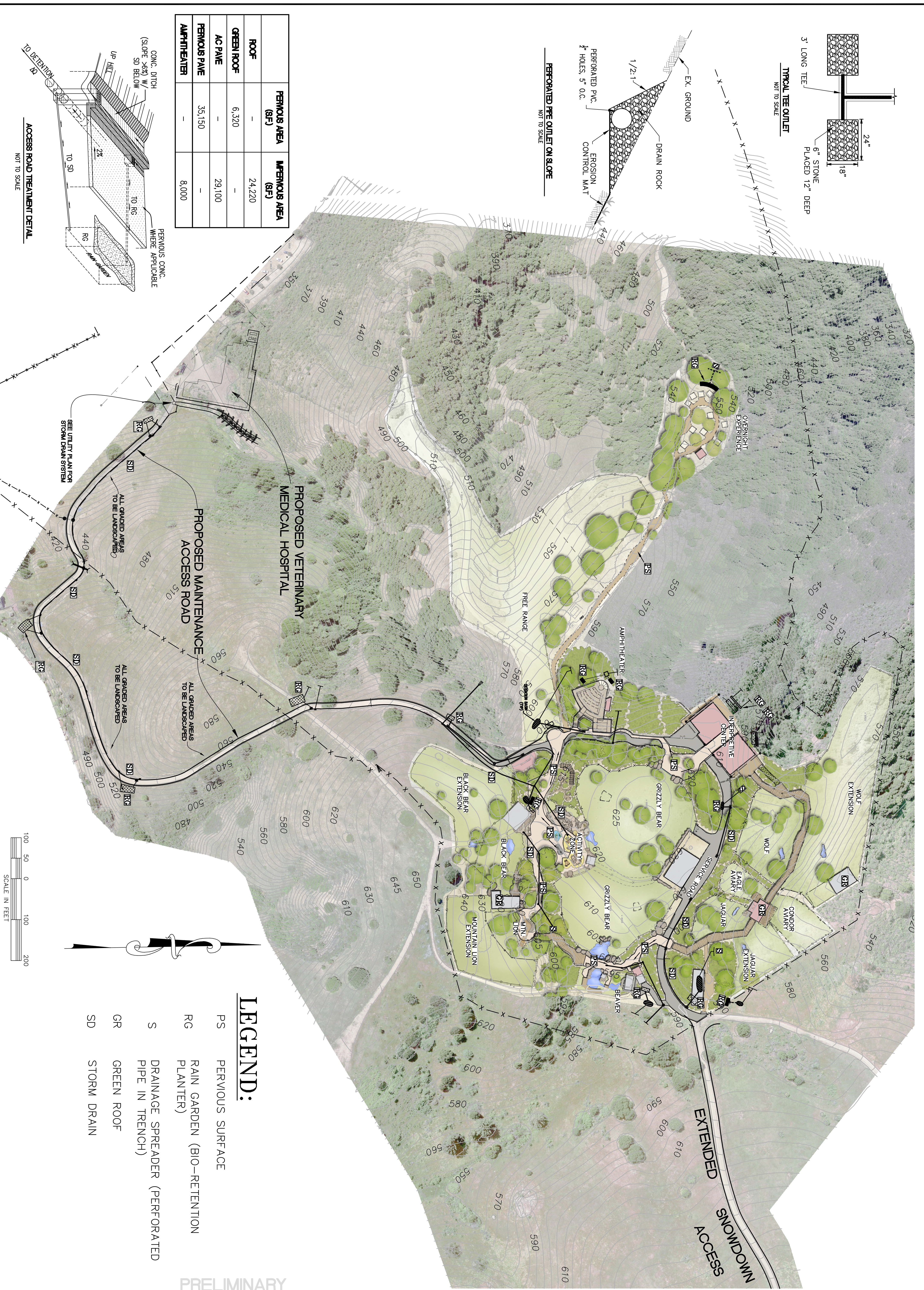
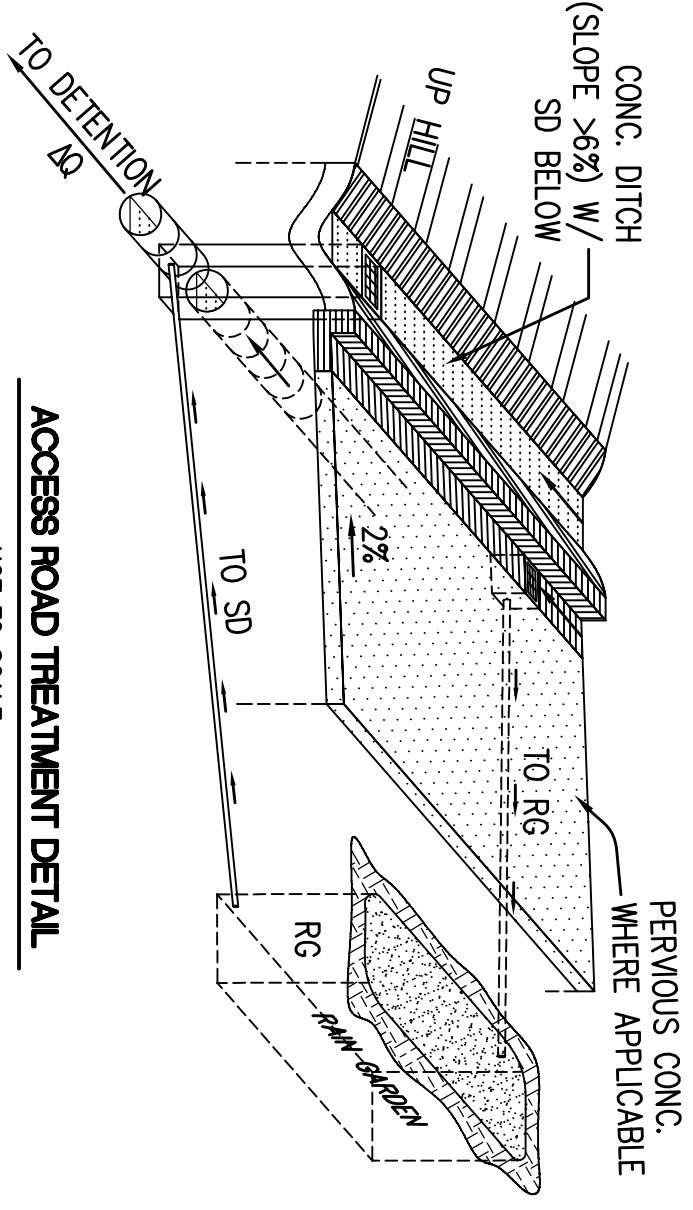


	PERVIOUS AREA (SF)	IMPERVIOUS AREA (SF)
ROOF	-	24,220
GREEN ROOF	6,320	-
AC PAVE	-	29,100
PERVIOUS PAVE	35,150	-
AMPHI-HEATER	-	8,000



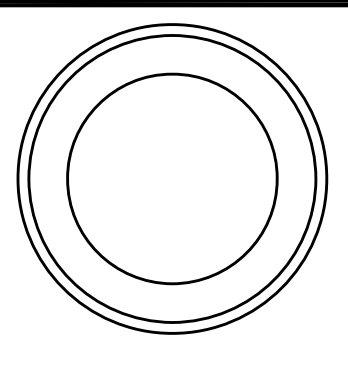
LEGEND:

- PS PERVIOUS SURFACE
- RG RAIN GARDEN (BIO-RETENTION PLANTER)
- S DRAINAGE SPREADER (PERFORATED PIPE IN TRENCH)
- GR GREEN ROOF
- SD STORM DRAIN

PRELIMINARY
NOT FOR CONSTRUCTION

**PRELIMINARY POST-CONSTRUCTION
STORMWATER MANAGEMENT PLAN**
THE CALIFORNIA EXHIBIT - CUP CM09085 - OAKLAND ZOO

OAKLAND ALAMEDA COUNTY CALIFORNIA



No.	BY	DATE	REVISIONS

ALIQUOT
PLANNERS
CIVIL ENGINEERS
SURVEYORS

ALIQUOT ASSOCIATES, INC.
400 BOWLING GREEN WAY - 2ND
OAKLAND, CA 94610
(510) 601-5101
FAX: (510) 601-5171

JOB NO	208022
SCALE	1"=100'
DATE	9/28/2010
DESIGN	
DRAWN	MC
APPROVED	

1 OF 2